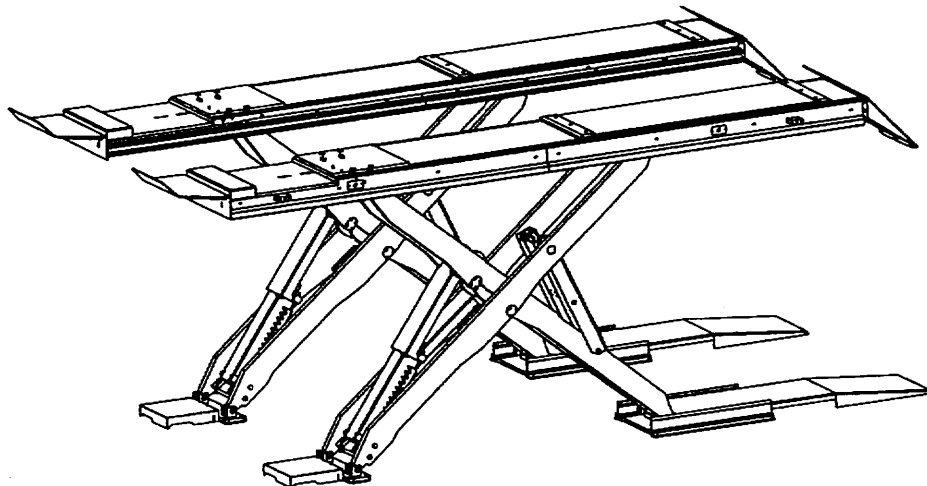


# **PUFFBAUM**

## **HEBETECHNIK**

### **UNI-LIFT 4000 MB**

valid: July 1994



### **Spare parts list**

command unit, front view

command unit, back view

bearings and coverings

scissors

safety device

passive ratchet

drive-on rail, master side

drive-on rail, slave side

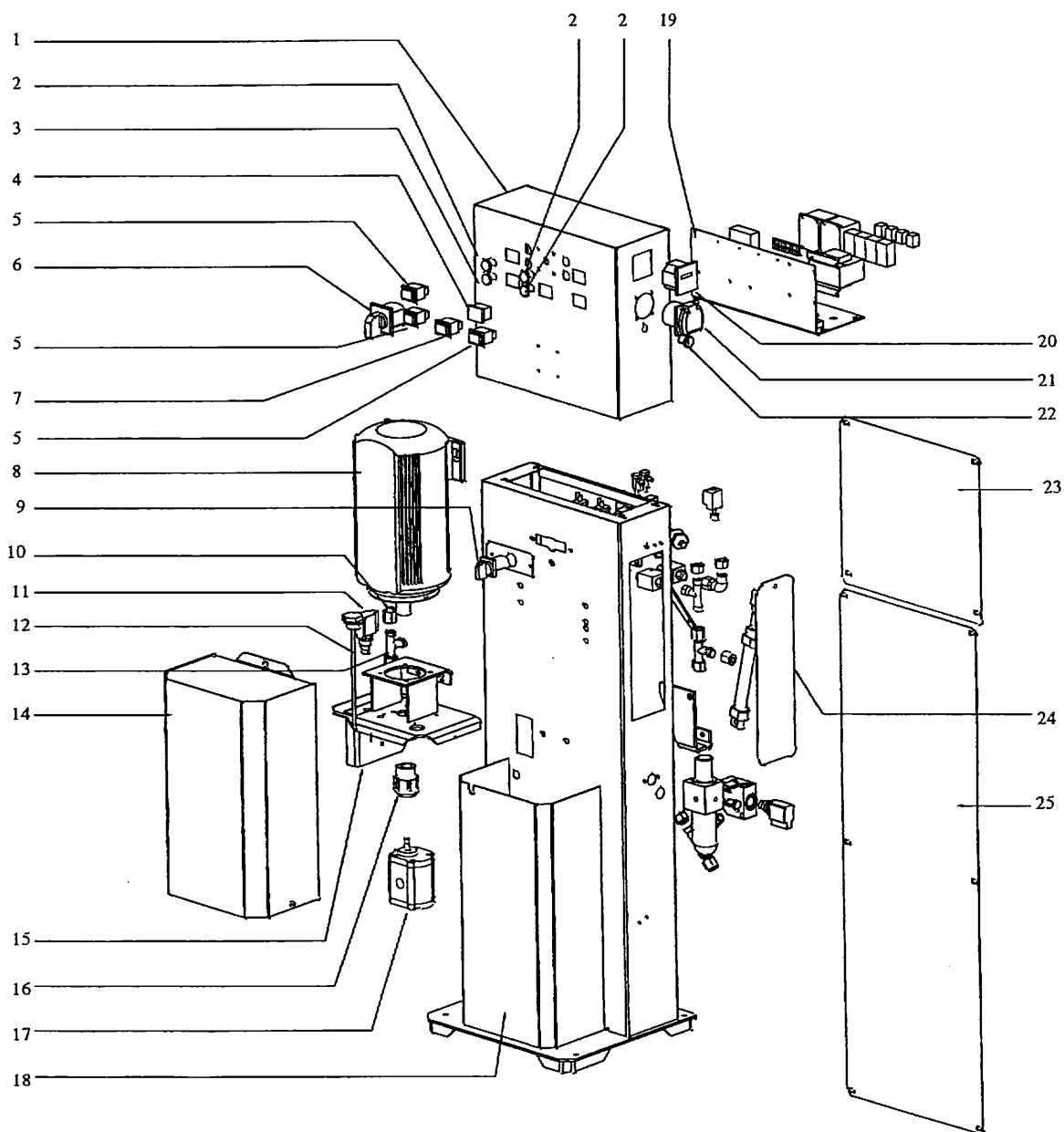
synchronization control photoelectric cell

master cylinder

slave cylinder

pneumatic cylinder locking of the push sheet

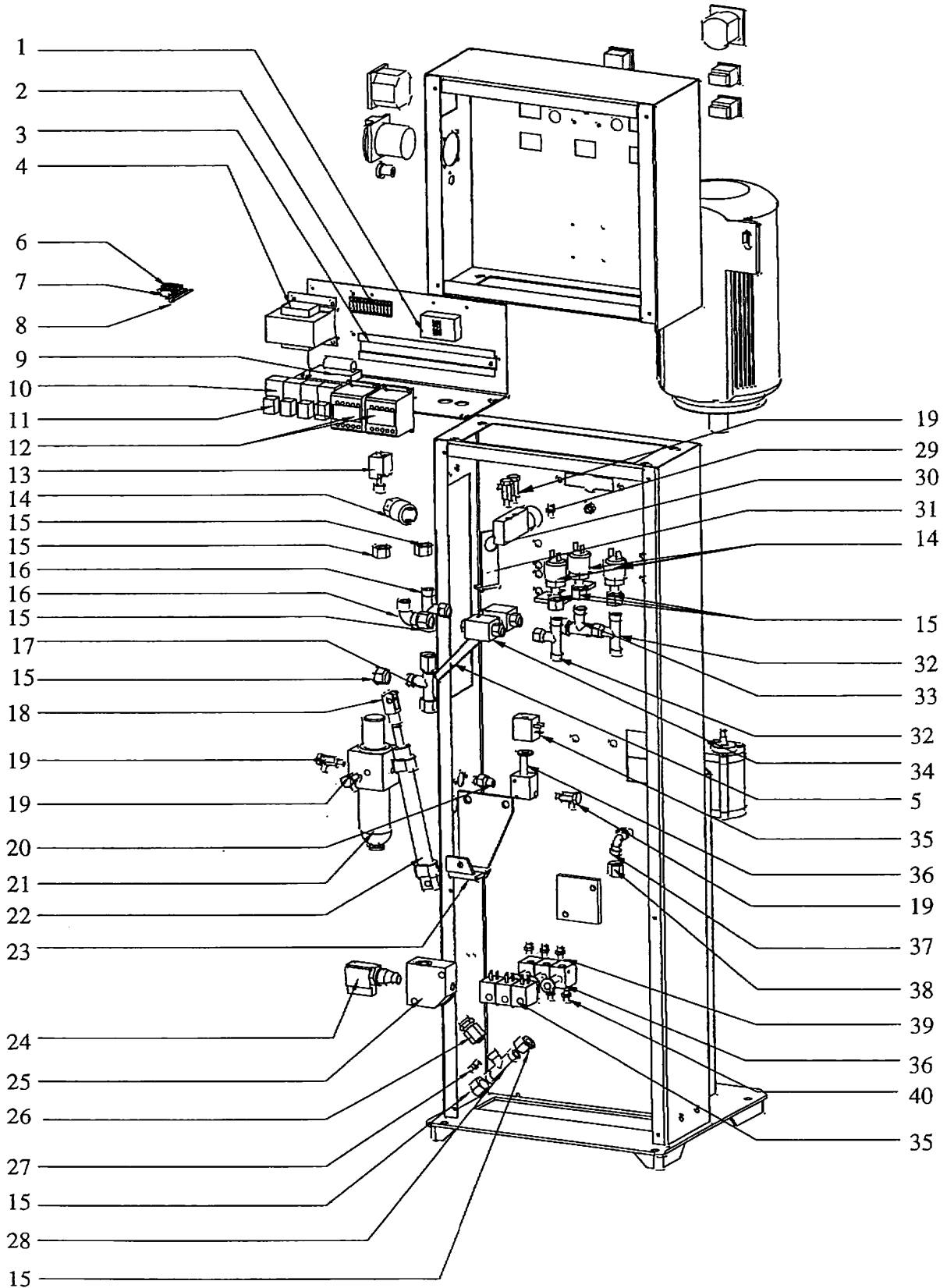
**Spare parts list, command unit, front view**



**Spare parts list, command unit, front view**

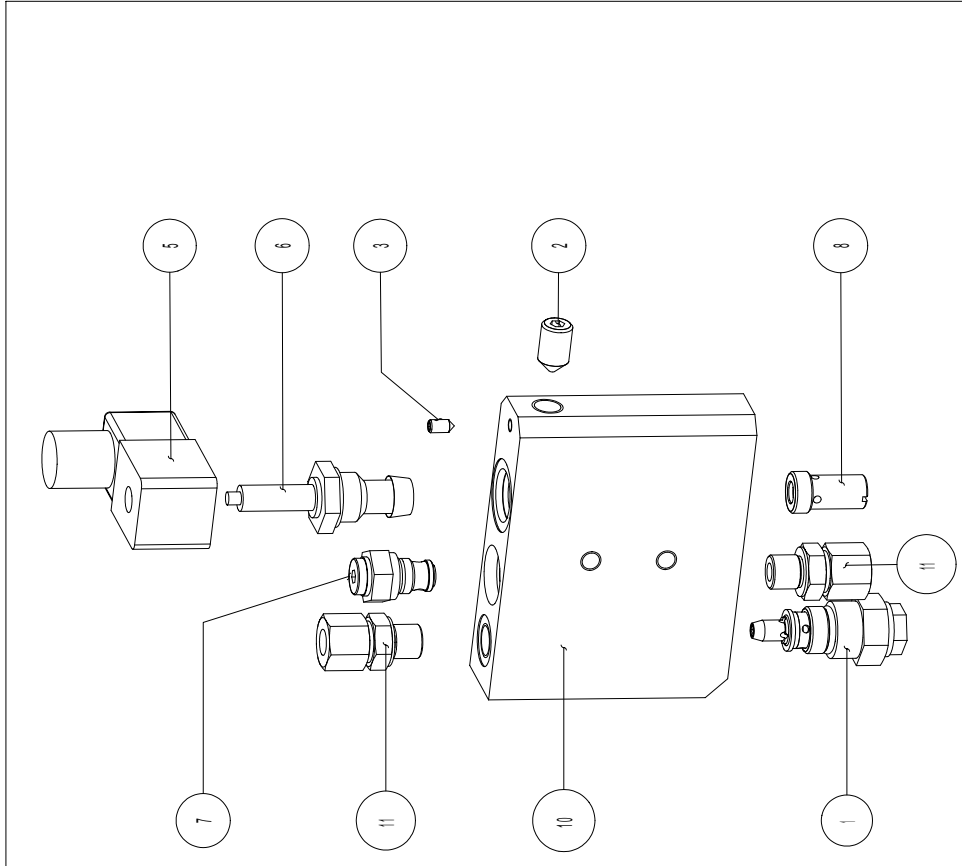
<b>Number</b>	<b>Description</b>	<b>Code</b>
1	Command unit, upper side	040ULN01015
2	RAFI-light red	990282
3	RAFI-light green	990301
4	PVC-cap	990321
5	Pressure switch, changer, black	990334
6	Main switch	990403
7	Pressure switch, 2-pole, green	990335
8	Motor	990303
9	Positional changer	960071
10	Point sheet	980072
11	Jung magnetic valve with coil	980478 (valve) 980479 (coil)
12	Oil level gage	980098
13	Male Stud Run Tee	980440
14	Motor-covering	030ULN01025
15	Pump-carrier	030ULN01037
16	Coupling	970290
17	Pump 3ccm	980243
18	Command unit, lower side	040ULN01003
19	construction sheet	040ULN03055
20	Elapsed time indicator	990231
21	socket	990134
22	check nut	980125
23	Covering, upper side	025SPR21019
24	Switch wall	025SPR21007
25	Covering, back side	025SPR21012

## Spare parts List of the command unit, back view



**Spare parts list, command unit, back view**

<b>Number</b>	<b>Description</b>	<b>Code</b>
1	Time relay	990212
2	Luster terminal	990037
3	Carrying rail 35 breadth	990020
4	Transformer	990462
5	Bremer-handle	032ULN01045
6	Binding post	990022
7	Protective conductor binding post	990023
8	Carrying rail 15 breadth	990021
9	Electrolyte capacitor	990463
10	Relay base	990381
11	Relay	990323
12	Contacto 24 V	990269
13	Limit switch	990300
14	Pressure switch	980147
15	Union nut	980064
16	Threaded elbow joint	980064
17	Male Stud Branch Tee	980610B
18	Fork head	GabelkopfM8
19	Threaded elbow joint	960045
20	Separable double fitting	960044
21	Filter pressure relief valve	960039
22	Pneumatic cylinder	960089
23	Cylinder fixing	032ULN01050
24	Jung-magnetic valve with coil	980478 (valve) 980479 (coil)
25	Hydraulic block complete	032UL12365
26	Screwed socket with shank	15-28-L10RD
27	Screen	(built in T-joint)
28	Male Stud Branch Tee	980016
29	Male Stud Cuoplings	960043
30	Bosch 5/2 way-valve	960072
31	Fixing	040ULN01139
32	Standpipe Run Tee	980519
33	Adjustable Male Stud Branch Tee	980016
34	Ball valve	980513
35	Magnet to Bosch pneumatic valve	960049
36	Bosch pneumatic valve	960047
37	Adjustable threaded elbow joint	980489
38	Union nut	960047
39	Male Stud Cuoplings	960043
40	Male Stud Cuoplings	960043

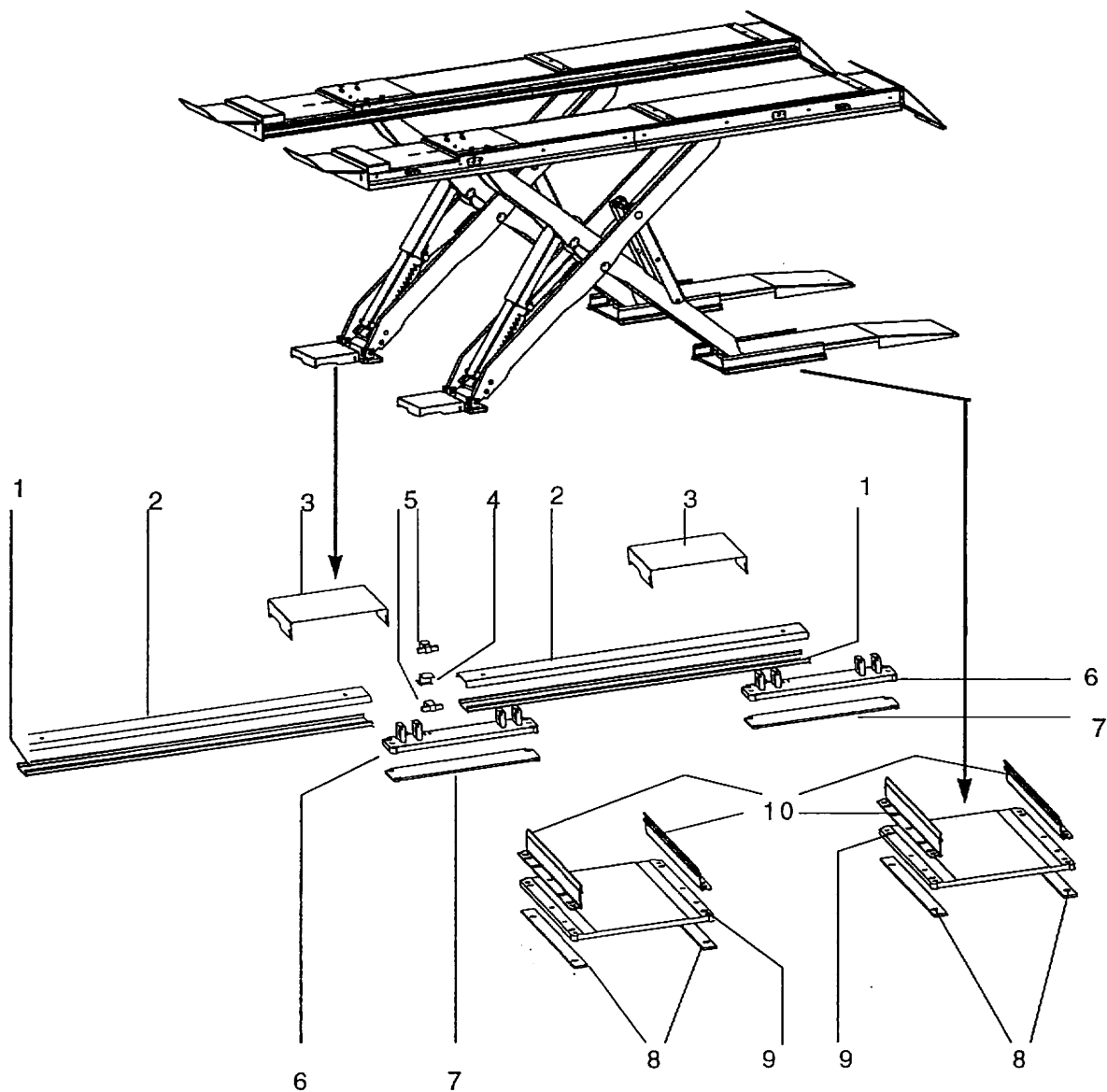


1	1	232NSTL02082	Druckbegrenzungsventil Pressure control valve
2	1	9914-M12X020Z	Gewindestift pin
3	1	9914-M5X10	Gewindestift pin
5	1	980630	Magnetspule = 24V coil = 24V
6	1	980478	Magnetventil valve
7	1	980480	Rueckschlagventil holding valve
8	1	9802471	Senkbremse 1.9 flow control valve 1.9
10	1	232POW22039	Steuerblock hydraulic block
11	2	GE10PLR-ED	Verschraubung fitting

PASSMASS		ABMASS		MASSE OHNE TOLERANZANGABEN		OBERFLÄCHE		MATERIAL		BEWEICHT:	
								WERKSTOFF			
								BENENNUNG			
				BEARB. 25.08.08		NAME		-			
				GEPR.		ng					
				NORM							
				FIRMA							
				Name		URSPR.					
Nr./Aenderung		Datum		Name		URSPR.					
				NUSBAUM		HEBETECHNIK					
				ZEICHNUNGSNUMMER		232POW22037				BLATT	
										VON	
								ERSATZ FÜR		ERSATZ DURCH	

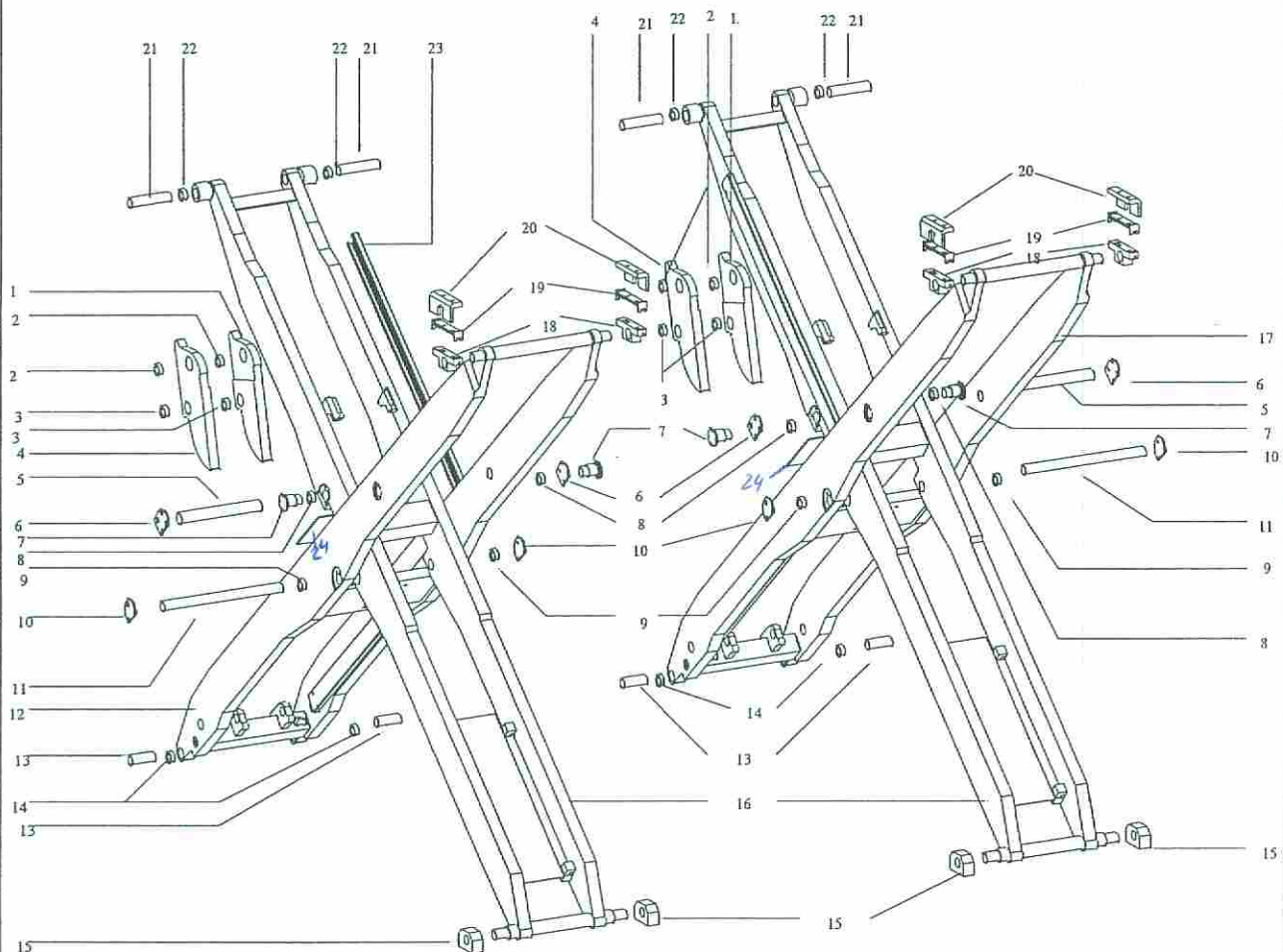
**Steuerblock kpl.**  
**hydraulic block complete**

## Spare parts list of bearings and coverings



Number	Description	Code
1	tube-vat	040ULN09016
2	tube-covering	040ULN09017
3	covering box	040ULN09003
4	switch fixing	040ULN05011
5	limit switch	990003
6	fixed bearing	040ULN05005
7	forcing plate	032ULN05004
8	forcing sheet steel	032ULN05015
9	adjusting plate	032ULN05017
10	wheel housing sheet	032ULN05018

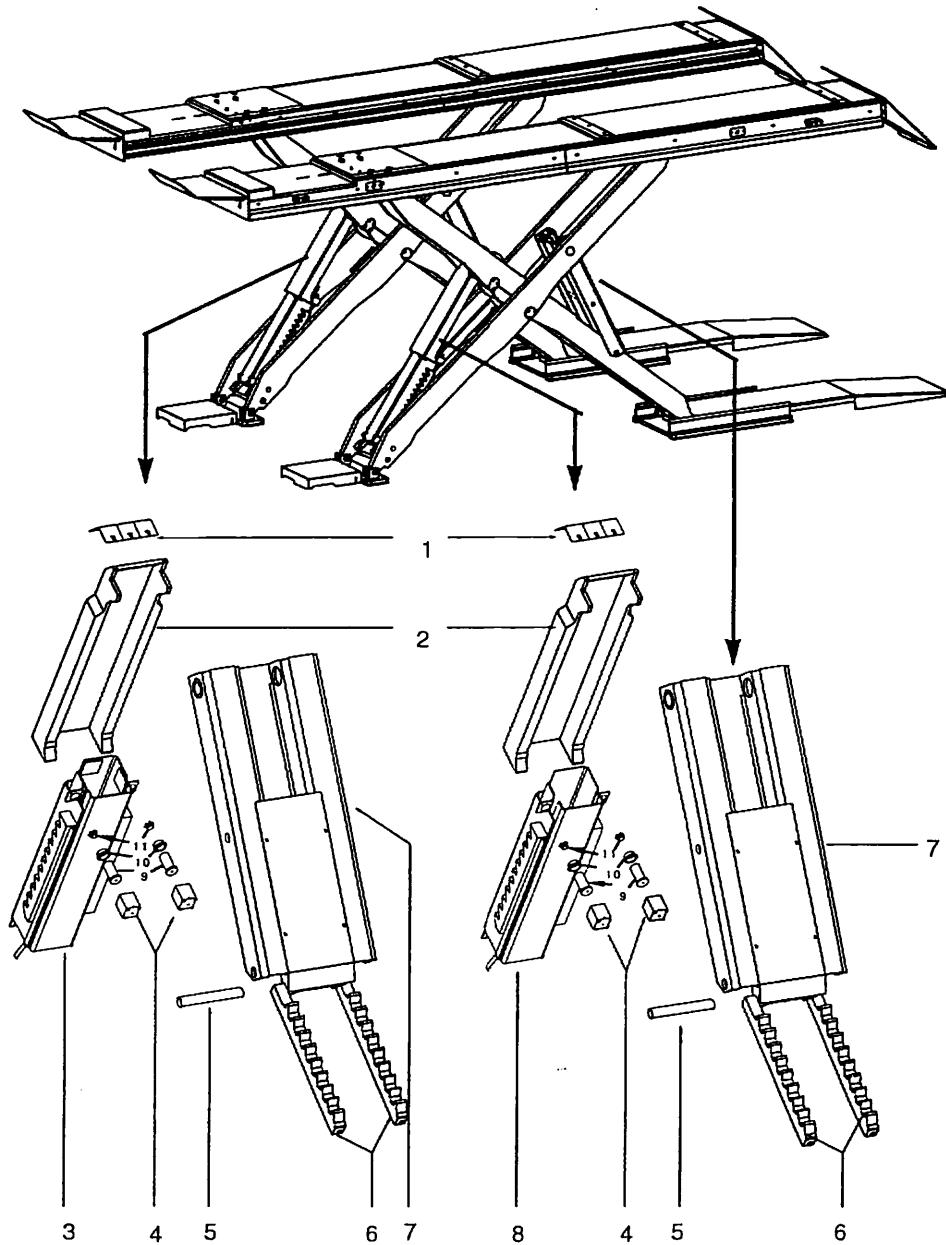
### Spare parts list of scissors



No	Description	Code	No	Description	Code
1	cylinder hanging-up	032ULN06030	14	DU-bearing 30x34x40	970195
2	DU-bearing 40x44x20	970331	15	sliding block lower side	032ULN06039
3	DU-bearing 35x39x20	970047	16	scissors inside, welding piece	040ULN06073
4	cylinder hanging-up	032ULN06033	17	scissors outside, welding piece, master side	040ULN06003
5	bolt of the cylinder unit	032ULN06048	18	sliding block fixing	040ULN06038
6	safety sheet steel of scissors inside	040ULN06049	19	sliding block adapter	040ULN06037
7	ratchet bolt	032ULN10065	20	sliding block top side	040ULN06036
8	DU-bearing 35x39x20	970047	21	fixed bearing pin, top side	040ULN06115
9	DU-bearing 30x34x25	970195	22	DU-bearing 30x34x15	9709019
10	safety sheet steel of scissors outside	040ULN06046	23	cable channel	040ULN06020
11	pivot shaft middle joint	040ULN06045	24	metal plate	032UL06027 + 9RKS 147-110x20
12	scissors outside, slave side	040ULN06057			
13	fixed bearing bolt, lower side	040ULN06110			

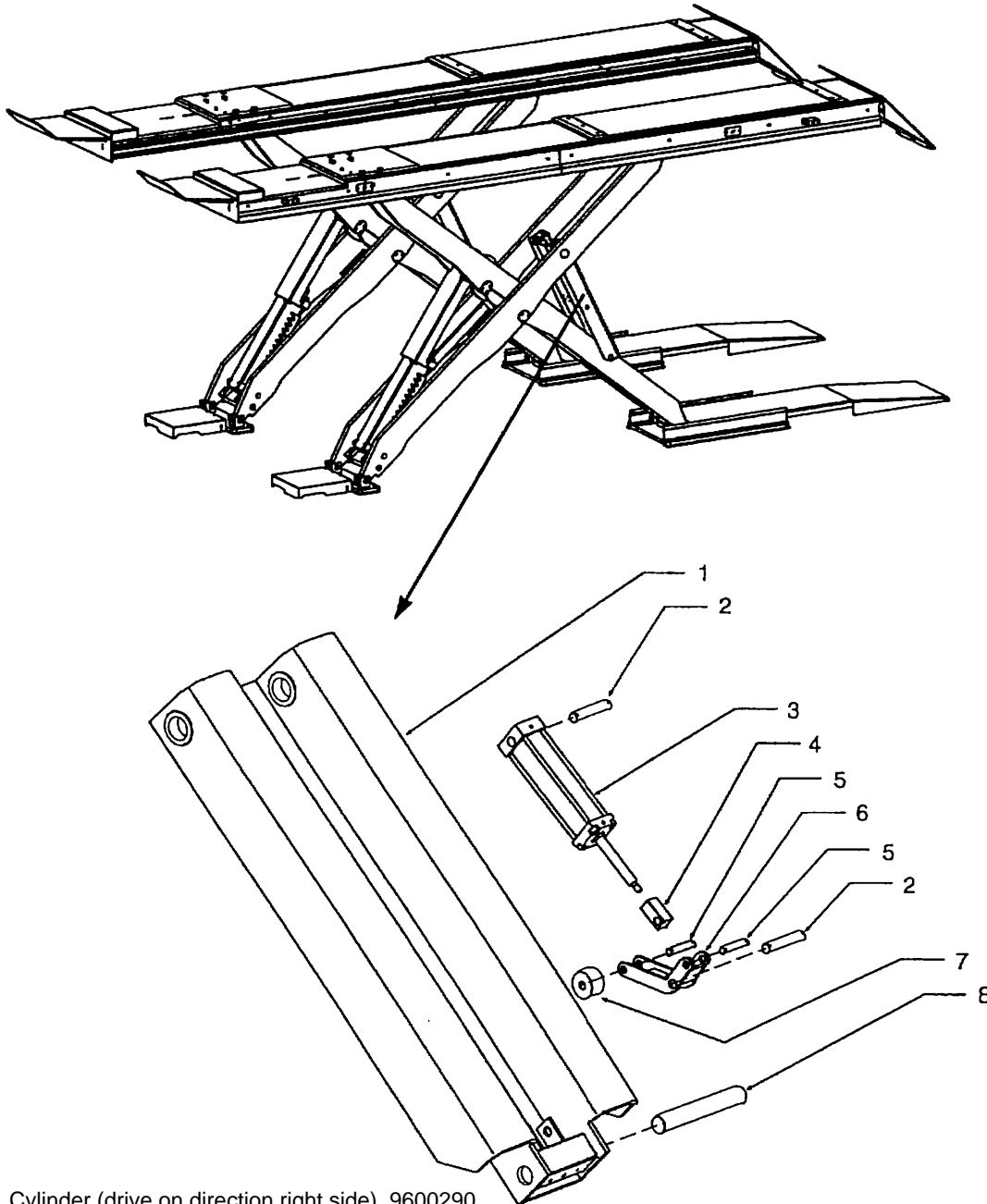


### Spare parts list of safety device



Number	Description	Code
1	leaf spring suspension	029UL10004
2	ratchet, welding piece	032ULN10001
3	ratchet profileslave side	032ULN10017
4	pneumatic cylinder case	030ULN10037
5	round piece	032ULN10059
6	passive ratchet rail	032ULN10050
7	passive ratchet	032ULN10053
8	ratchet profile, master side	032ULN10016
9	piston	030ULN10039
10	guide bush	030ULN10038
11	Airzet-seal	960001

## Spare parts list passive ratchet



\* Cylinder (drive on direction right side) 9600290

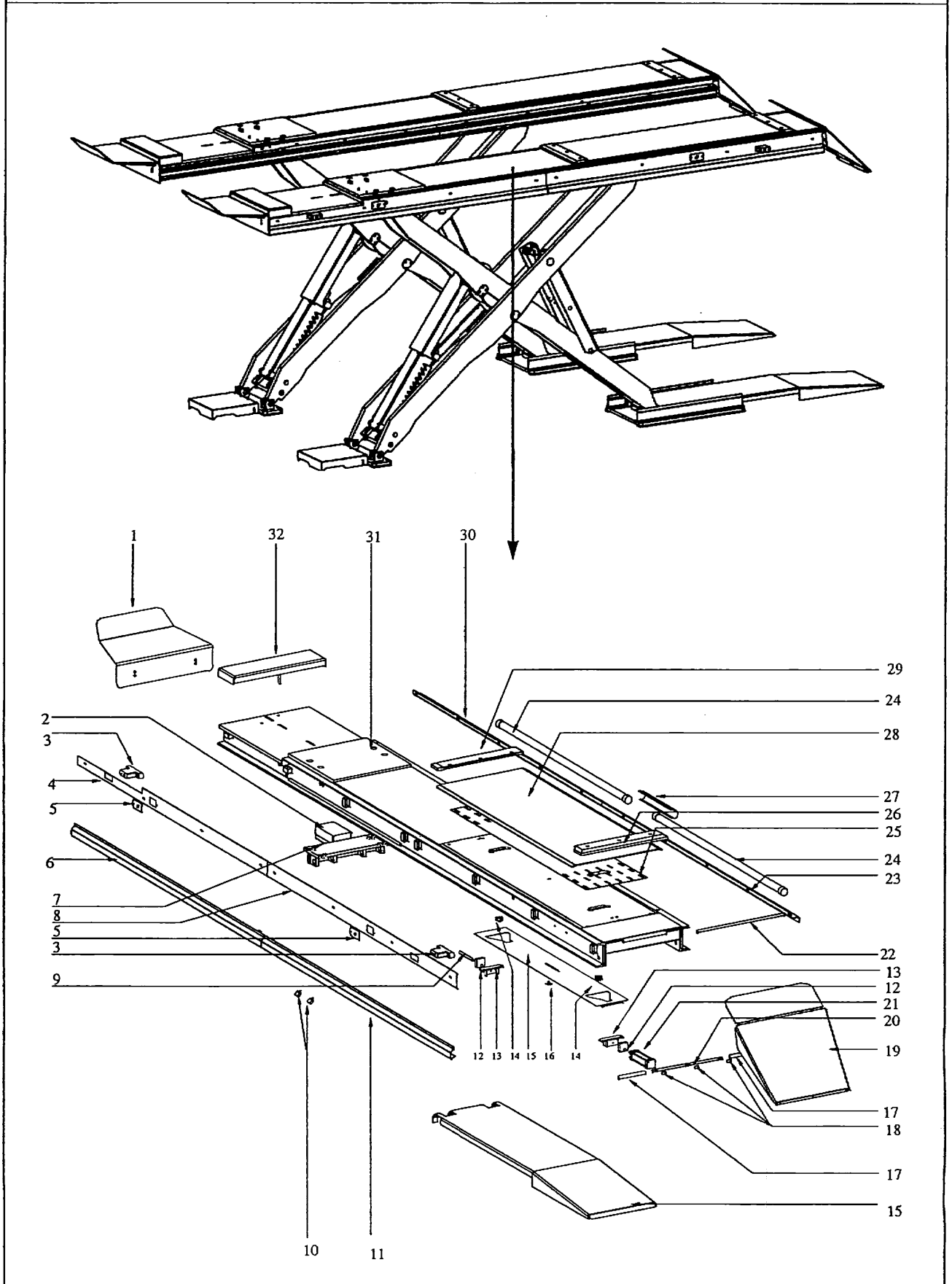
\*\* Cylinder (drive on direction left side) 960029

Number	Description	Code
1	passive ratchet	032ULN10053
2	bolt	032ULN10077
3	pneumatic cylinder complete	* / **
4	rotating head	040ULN10078
5	bolt	032ULN10075
6	lever	032ULN10070
7	coil	032ULN10073
8	round piece	032ULN10059

**Spare parts list of drive-on rail, slave side**

No	Description	Code
1	roll-over safety	030ULN08051
2	superpose box, lower side	030ULN03312-1
3	fixing for axial measurement	040ULN08134
3	fluorescent lamp	990435
4	screen front side, slave side	040ULN8127
5	adapter plate for Beisbarth	040ULN08139
6	switch off strip	040ULN08067
7	rail bearing	040ULN08101
8	screen back side, slave side	040ULN08128
9	drag rod	032ULN08119
10	switch	11150101
11	switch off strip	040ULN08067
12	pneum. cyl. hanging-up	040ULN08030
13	gate	032ULN08117
14	roll	032ULN08092
15	centering sheet	032ULN08110
16	securing screw	032ULN08120
17	roll	040ULN08170
18	platt sheet	040ULN08172
19	ramp	040ULN08163
20	roller bearing	040ULN08171
21	pneumatic cylinder	032ULN02050
22	round rod	040ULN08180
23	fixing for JACK	040ULN08131
24	fluorescent lamp	990435
25	roller cage	032ULN08080
26	end piece with platt sheet	040ULN08095
27	lamp covering	040ULN08137
28	push plate	040ULN08086
29	end piece with platt sheet	040ULN08095
30	fixing for JACK	040ULN8132
31	drive-on rail, slave side	040ULN08023
32	cope	040ULN08076

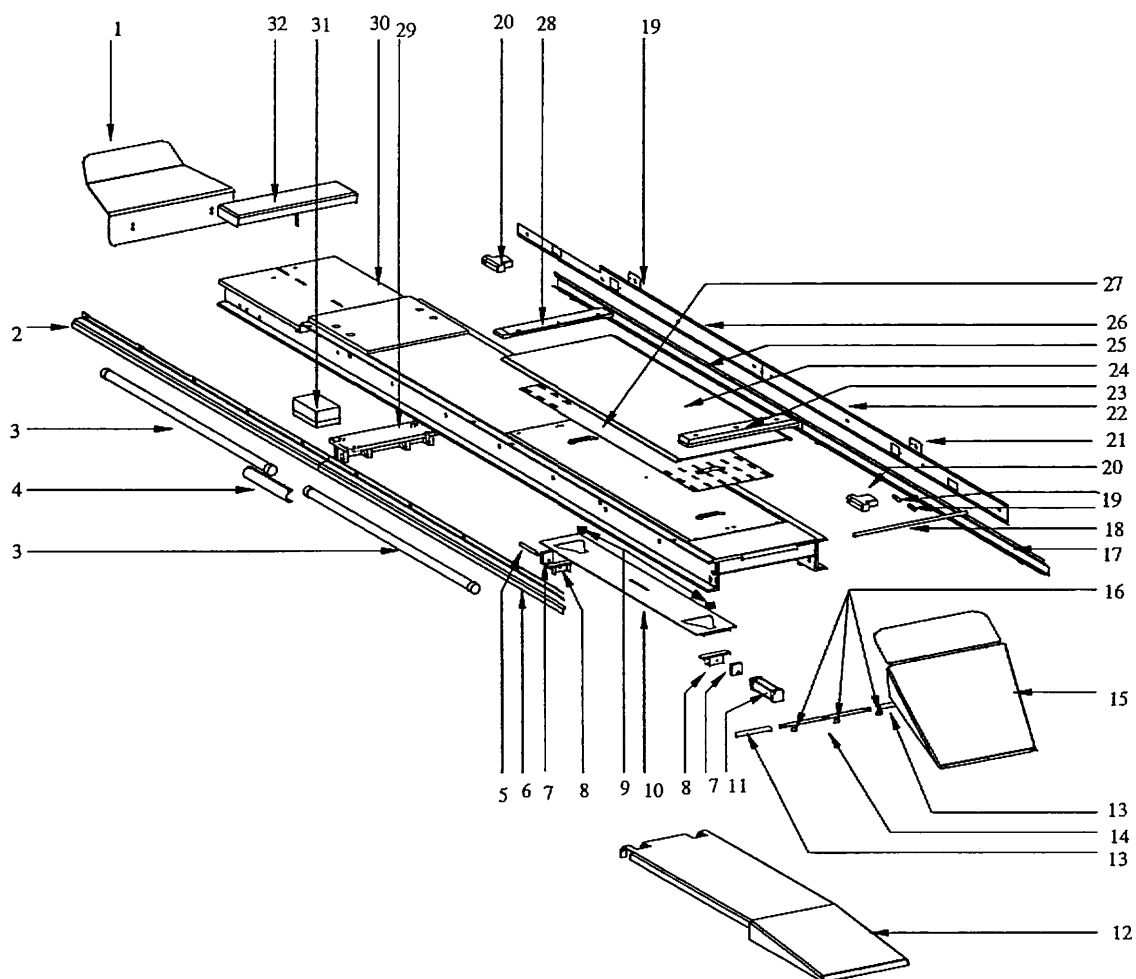
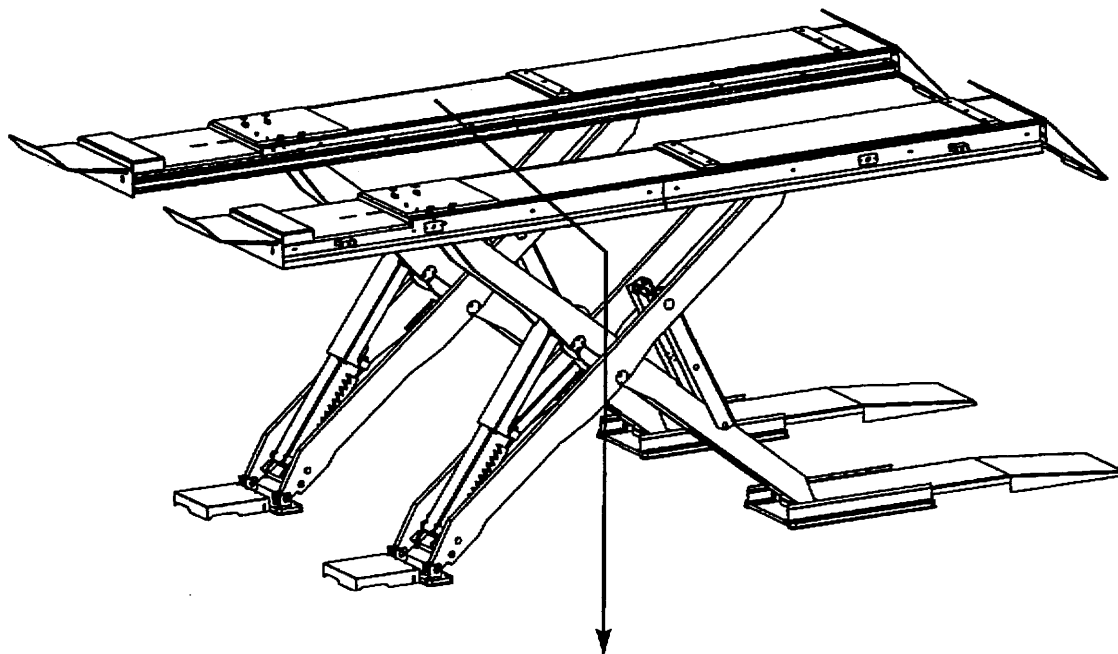
Spare parts list of drive-on rail, slave side



**Spare parts list of drive-on rail, slave side**

No	Description	Code
1	roll-over safety	030ULN08051
2	superpose box, lower side	030ULN03312-1
3	fixing for axial measurement	040ULN08134
3	fluorescent lamp	990435
4	screen front side, slave side	040ULN8127
5	adapter plate for Beisbarth	040ULN08139
6	switch off strip	040ULN08067
7	rail bearing	040ULN08101
8	screen back side, slave side	040ULN08128
9	drag rod	032ULN08119
10	switch	11150101
11	switch off strip	040ULN08067
12	pneum. cyl. hanging-up	040ULN08030
13	gate	032ULN08117
14	roll	032ULN08092
15	centering sheet	032ULN08110
16	securing screw	032ULN08120
17	roll	040ULN08170
18	platt sheet	040ULN08172
19	ramp	040ULN08163
20	roller bearing	040ULN08171
21	pneumatic cylinder	032ULN02050
22	round rod	040ULN08180
23	fixing for JACK	040ULN08131
24	fluorescent lamp	990435
25	roller cage	032ULN08080
26	end piece with platt sheet	040ULN08095
27	lamp covering	040ULN08137
28	push plate	040ULN08086
29	end piece with platt sheet	040ULN08095
30	fixing for JACK	040ULN8132
31	drive-on rail, slave side	040ULN08023
32	cope	040ULN08076

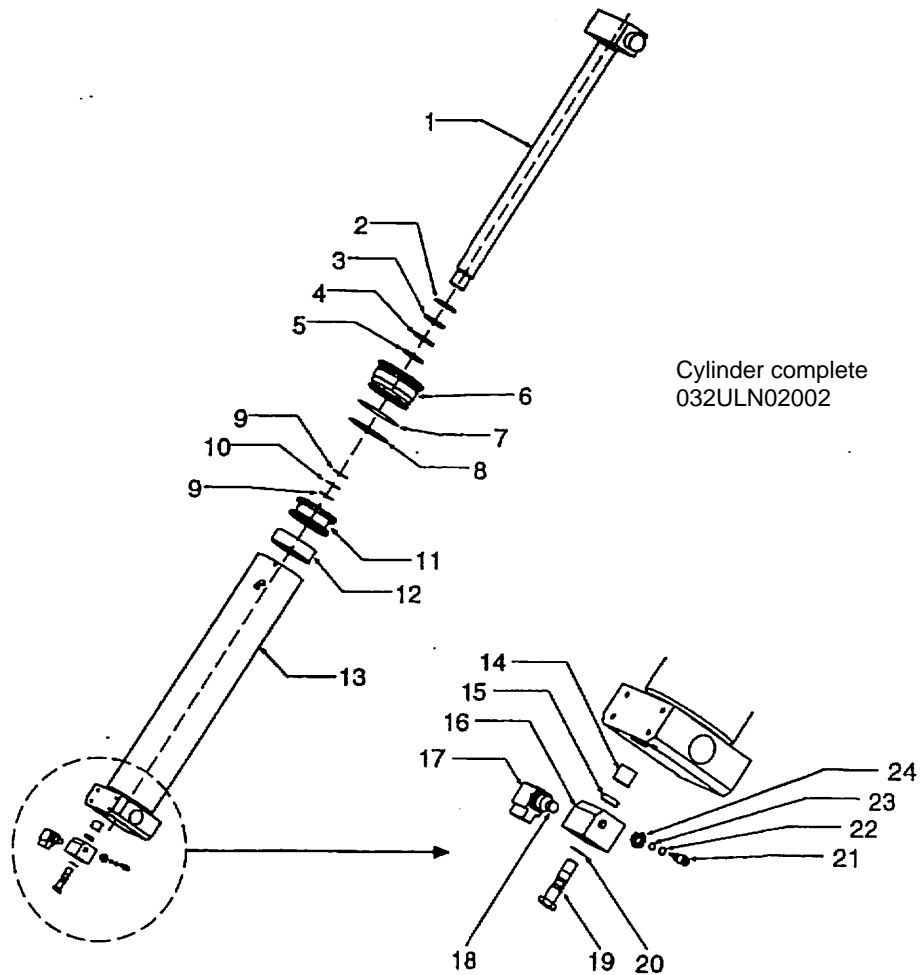
Spare parts list of drive-on rail, master side



**Spare parts list of drive-on rail, master side**

<b>No</b>	<b>Description</b>	<b>Code</b>
1	roll-over safety	030ULN08051
2	fixing for JACK	040ULN08132
3	fluorescent lamp	990435
4	lamp covering	040ULN08137
5	drag rod	032ULN08119
6	fixing for JACK	040ULN08131
7	pneumatic cylinder unit	040ULN08030
8	gate	032ULN08117
9	roll	032ULN08092
10	centering sheet	032ULN08110
11	pneumatic cylinder	032ULN02050
12	drive-on ramp	032ULN08060
13	roll	040ULN08170
14	roller seating	040ULN08171
15	ramp	040ULN08160
16	platt sheet	040ULN08172
17	switch off strip	040ULN08067
18	round rod	040ULN08180
19	switch	11150101
20	fixing for axial measurement	040ULN08134
21	adapter plate for Beisbarth	040ULN08139
22	screen back side, master side	040ULN08128
23	end piece with platt sheet	040ULN08095
24	push plate	040ULN08086
25	switch off strip	040ULN08067
26	screen front side, master side	040ULN08126
27	roller cage	032ULN08080
28	end piece with platt sheet	040ULN08095
29	rail bearing	040ULN08101
30	drive-on rail, master side	040ULN08003
31	superpose box, lower side	030ULN03312-1
32	cope	040ULN08076

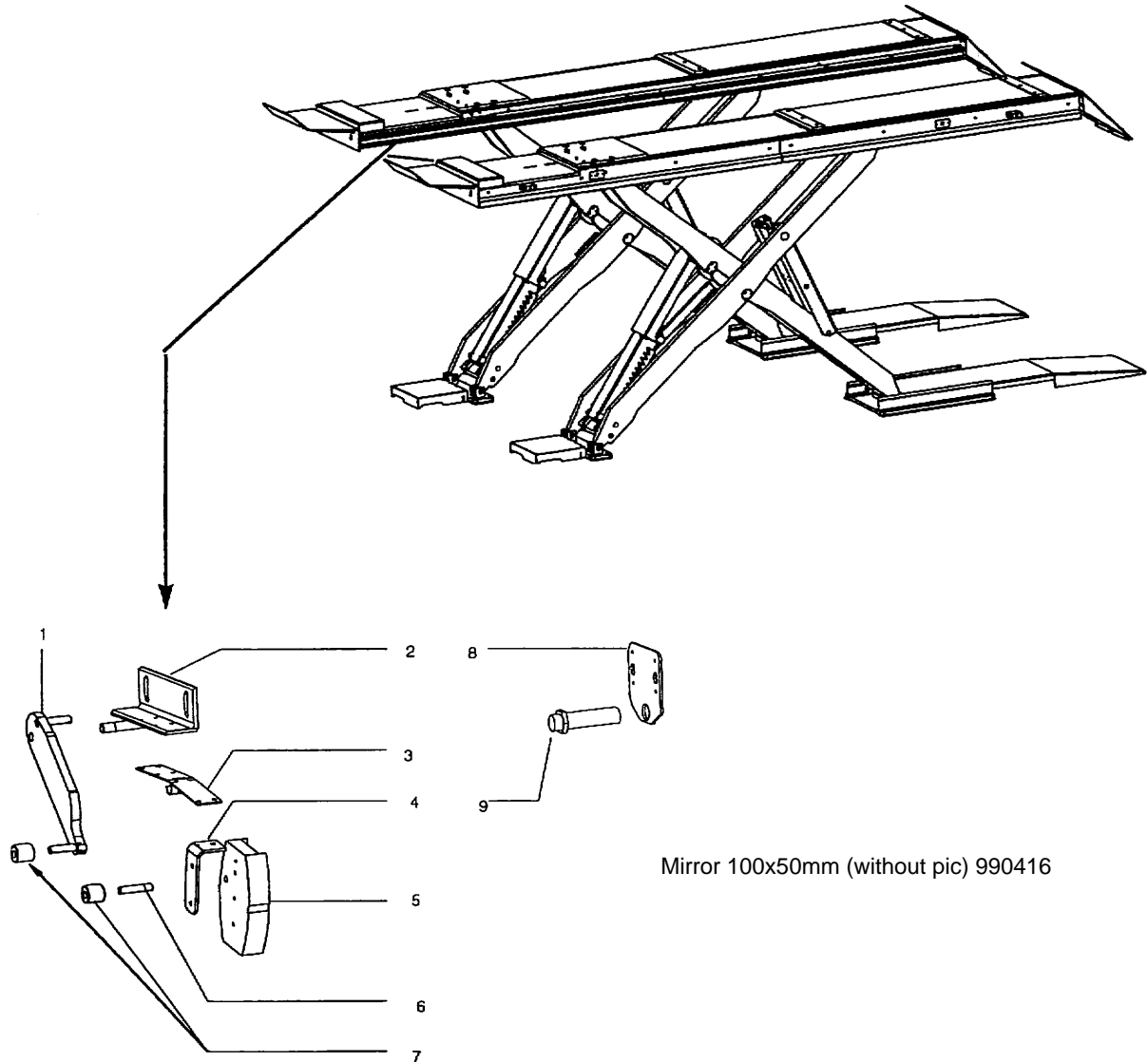
#### Spare parts list of master cylinder



Number	Description	Code	Number	Description	Code
1	Piston rod	032ULN02008	21	Emergency lowering	030ULN02064
2	Wiper ring	980267	22	Back-up ring	980604
3	Rotating band	980266	23	O-ring	980601
4	lip seal	980357	24	Pinch nut	9MU439M10ZN
5	Rotating band	980284			
6	Guide bush	030ULN02014			
7	Back-up ring	980483			
8	O-ring	980112			
9	Back-up ring	980282			
10	O-ring	980283			
11	Piston	025AL42020			
12	Compact seal	980126			
13	Cylinder tube	032ULN02003			
14	Pipe-break safety	980178			
15	Conical nipple	980245			
16	Stop-block	030ULN02062			
17	Magnetizing coil	980630			
18	Magnet valve	980478			
19	Banjo bolt	030ULN02066			
20	Conical nipple	980207			

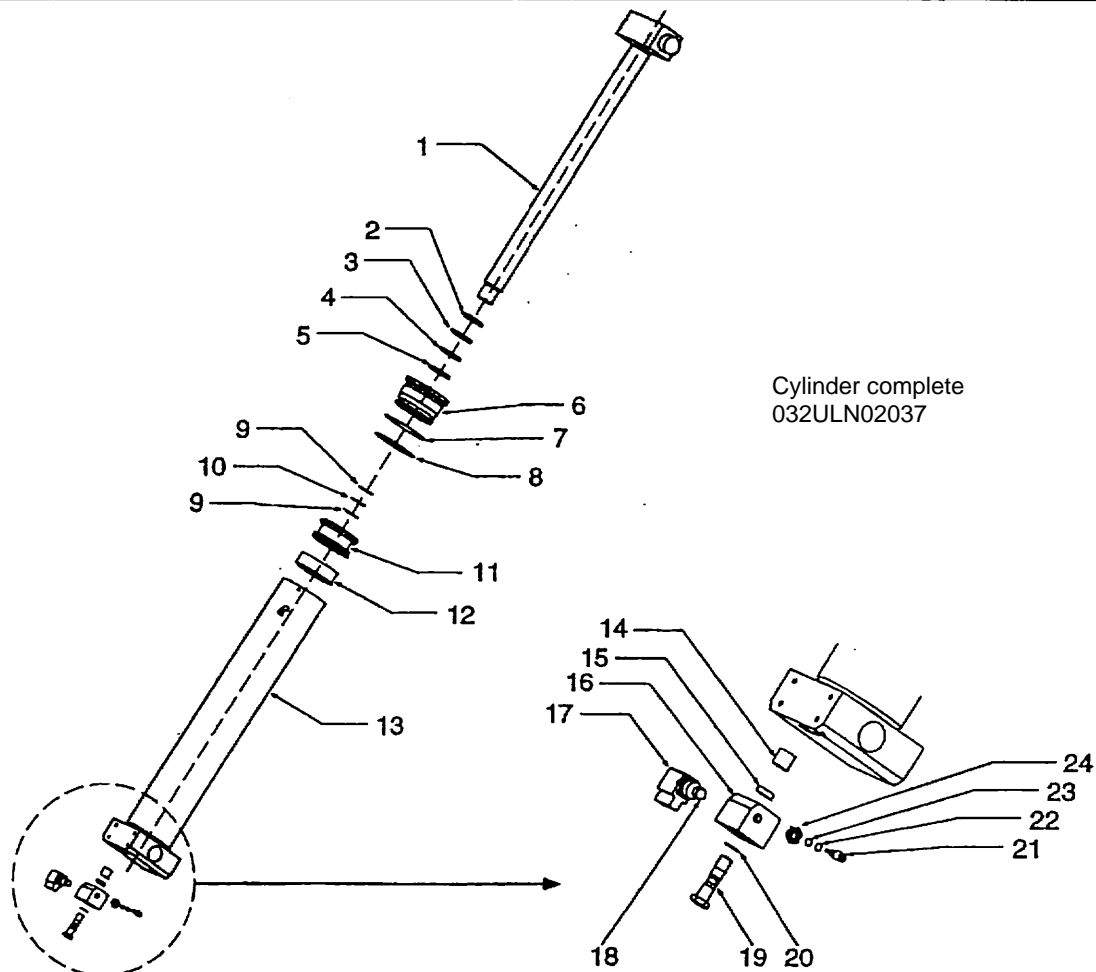


**Spare parts list of synchronization control photoelectric cell**

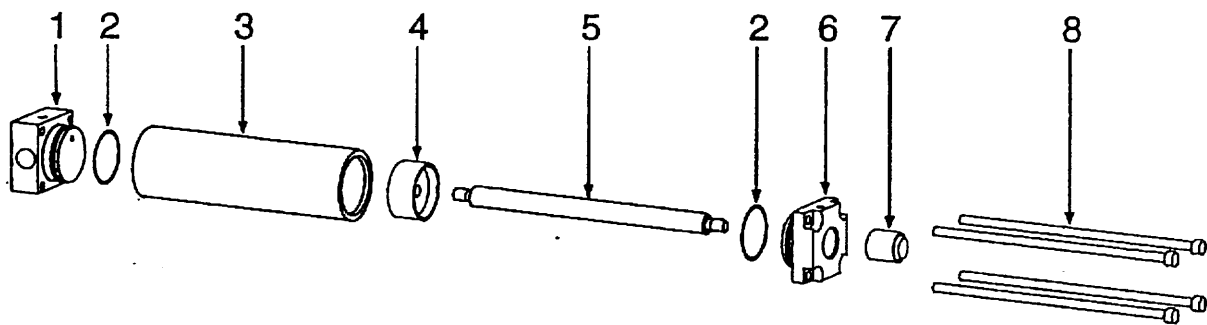


Number	Description	Code
1	mirror-support-dog, welding piece	030ULN03153
2	furning joint angle, welding piece	030ULN03135
3	box holding	970426
4	mirror support	030ULN03152
5	mirror support	030ULN03136
6	staff screw M8x40	DIN 427
7	coil	030ULN03158
8	photoelectric cell	032 UL 12340 DB
9	photoelectric cell with mirror	990411

## Spare parts list of slave cylinder



Number	Description	Code	Number	Description	Code
1	Piston rod	032ULN02008	21	Emergency lowering	030ULN02064
2	Wiper ring	980267	22	Back-up ring	980604
3	Rotating band	980266	23	O-ring	980601
4	lip seal	980357	24	Pinch nut	9MU439M10ZN
5	Rotating band	980284			
6	Guide bush	030ULN02050			
7	Back-up ring	980484			
8	O-ring	980113			
9	Back-up ring	980282			
10	O-ring	980283			
11	Piston	025AL42059			
12	Compact seal	980122			
13	Cylinder tube	032ULN02039			
14	Pipe-break safety	980178			
15	Conical nipple	980245			
16	Stop-block	030ULN02062			
17	Magnetizing coil	980630			
18	Magnet valve	980478			
19	Banjo bolt	030ULN02066			
20	Conical nipple	980207			

**Spare parts list of pneumatic cylinder locking of the push sheet**

<b>Number</b>	<b>Description</b>	<b>Code</b>
1	Cylinder bottom	032ULN02056
2	O-ring	980341
3	Cylinder tube	032ULN02053
4	Piston	980697
5	Piston rod	032ULN02062
6	guide bush	032ULN02059
7	rod guidance	980696
8	Cylinder screw	9Z912M06X180ZN