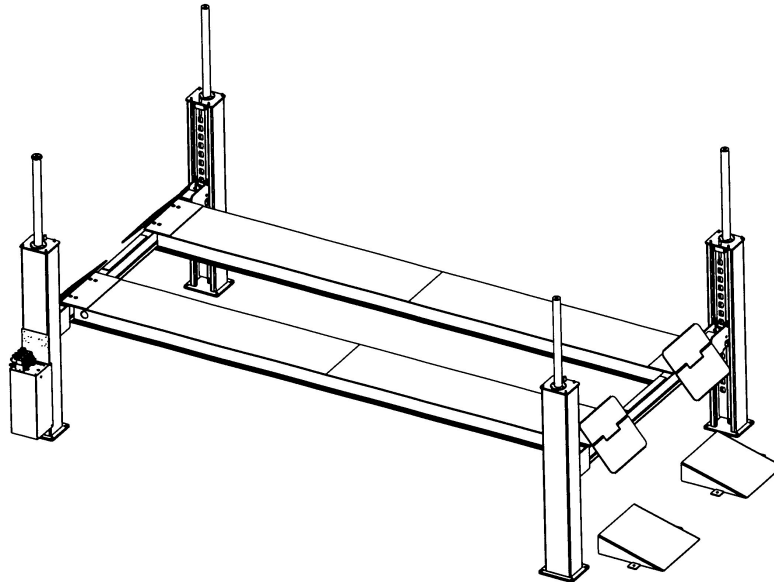


4.100 H RM

10/2000



Ersatzteilliste



Spare part list



Liste des pièces de rechange



NUSSEBAUM
HEBETECHNIK

Nussbaum Hebeteknik GmbH & Co.KG//Korker Straße 24//D-77694 Kehl-Bodersweier//Tel: +49(0)7853/8990
Fax: +49 (0) 78 53 / 87 87//E-mail: nussbaum.lifts@t-online.de//<http://www.nussbaum-lifts.de>



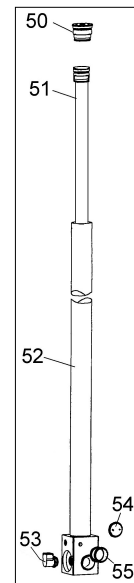
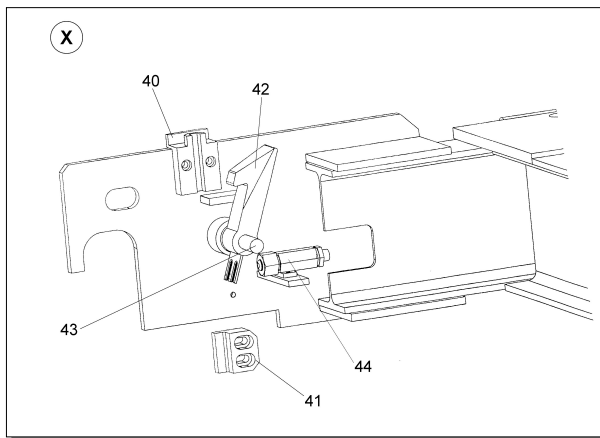
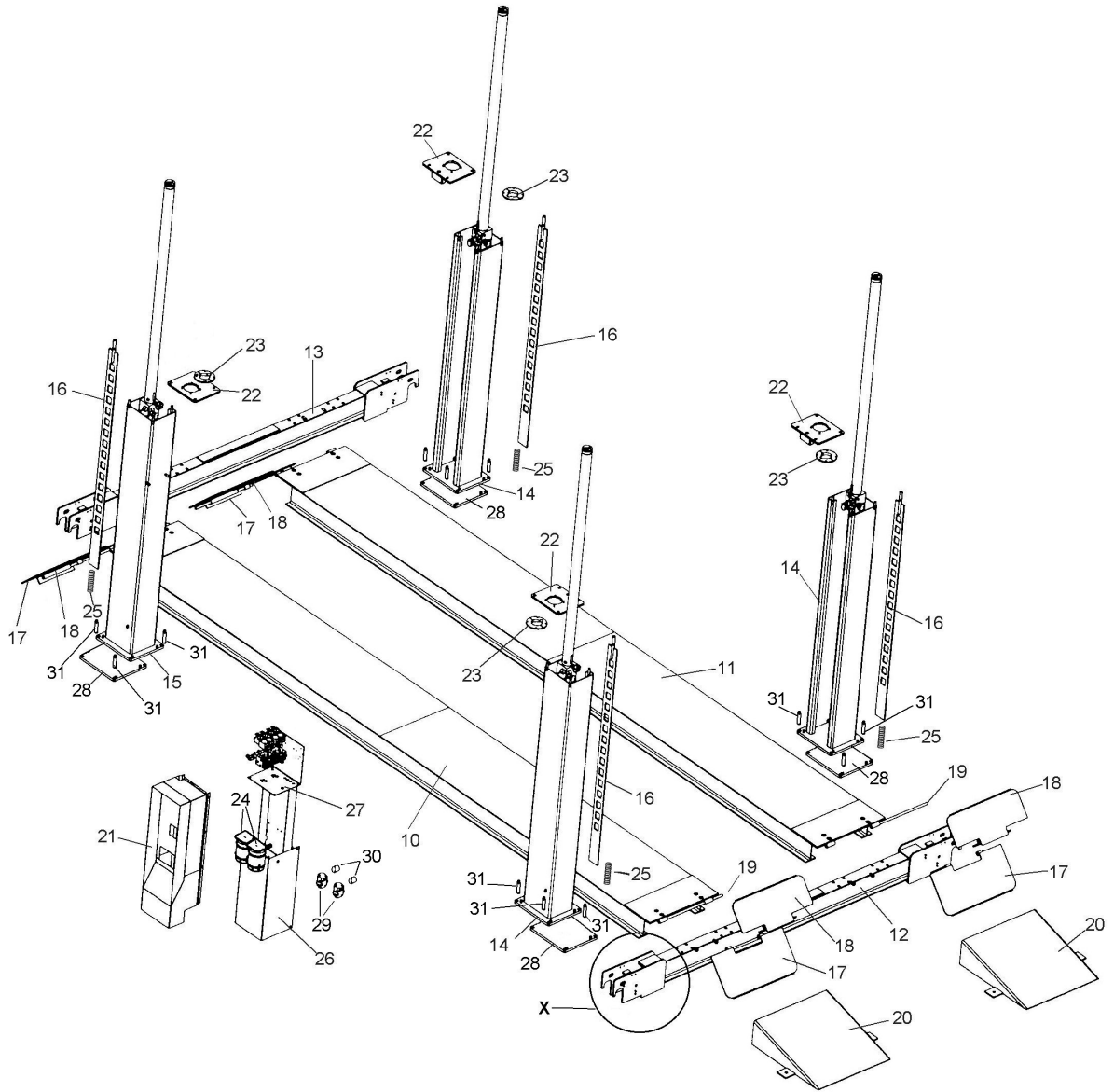
Die Ersatzteile müssen den vom Hersteller festgelegten technischen Anforderungen entsprechen. Dies ist nur bei Originalteilen gewährleistet. Bei Nichtverwendung der Originalteile oder bei unsachgemäß durchgeführter Reparatur, durch den Betreiber, erlischt jeglicher Garantieanspruch auf die ausgetauschten Teile und auf daraus resultierenden Folgeschäden.



Spare parts must correspond to the technical standards set by the manufacturer. Only original parts fall under our warranty conditions. We deny every claim to non-original parts or damages caused by their use. Unqualified repairs to the lift nullifies any claim to the replaced parts and resulting damages.



Les pièces détachées doivent répondre aux critères technique du constructeur. Uniquement les pièces d'origines constructeur seront reconnues dans le cadre de la garantie, si des pièces adaptables sont utilisées le constructeur ne pourra être pou responsable pour les de ´teriorations occassionées.





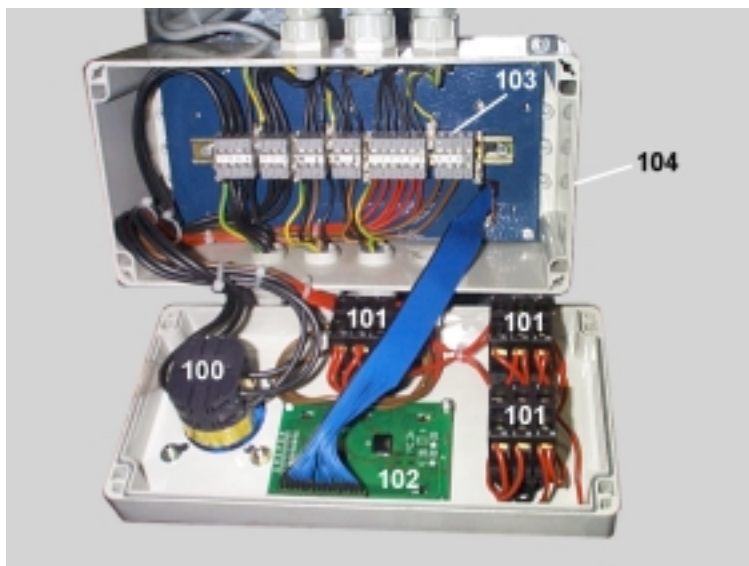
| Nr. | Bezeichnung | Bestellnummer | Stück/Lift | Lieferant | Artikelnummer |
|-----|----------------------|---------------|------------|-------------------|---------------|
| 10 | Schiene | 4120H08003 | 1 | | |
| 11 | Schiene | 4120H08103 | 1 | | |
| 12 | Querträger | 4120H06053 | 1 | | |
| 13 | Querträger | 4120H06003 | 1 | | |
| 14 | Säule | 4120H05053 | 3 | | |
| 15 | Bediensäule | 4120H05003 | 1 | | |
| 16 | Klinkenleiste | 4120H10015 | 4 | | |
| 17 | Fußschutzblech | 0150PL08231 | 4 | | |
| 18 | Rückrollsicherung | 0150PL08225 | 4 | | |
| 19 | Rundstange | 4120H08044 | 4 | | |
| 20 | Auffahrrampe | 0150H08030 | 2 | | |
| 21 | Abdeckung | 4120H09003 | 1 | | |
| 22 | Kopfplatte | 4120H05010 | 4 | | |
| 23 | Z-Rohr-Führung | 4120H05018 | 4 | | |
| 24 | Motor | 990445 | 2 | Leroy Somer | 3 kW |
| 25 | Zugfeder | 9ZFZ-140AZN | 4 | | |
| 26 | Ölbehälter | 4120H01006 | 1 | | |
| 27 | Motorträger | 4120H01030 | 1 | | |
| 28 | Abdrückplatte | 4120H05007 | 4 | | |
| 29 | Zahradpumpe | 980486 | 2 | | |
| 30 | Saugfilter | 980098 | 2 | | |
| 31 | Gewindestift | 9GS916M16X50 | 16 | | |
| | - Sechskantmutter | 9MU934m16ZN | 16 | | |
| 40 | KL-Führung | 4120H06024 | 8 | | |
| 41 | Gleitschuh | 435H06024 | 8 | | |
| 42 | Klinke | 4120H30003 | 4 | | |
| 43 | Klinkenbolzen | 4120H06018 | 4 | | |
| 44 | Klinkenzylinder kpl. | 4160H02050 | 4 | | |
| 50 | Zylinderboden | 4120H03032 | 4 | | |
| | - O-Ring | 981059 | 4 | ORAR00228 | |
| | - Stützring | 981383 | 4 | BG2700596 | |
| 51 | Kolbenstange | 4120H02023 | 4 | | |
| | - Kolbenführungsring | 981048 | 8 | GP6900650-C380 | |
| | - Wynseal | 981408 | 4 | PW4300650 | |
| 52 | Zylinderrohr kpl. | 4120H02001 | 4 | | |
| | - Abstreifer | 981372 | 8 | WA0200550 | |
| | - Nutring | 980353 | 8 | U32i-55-63-8-U94Q | |
| | - Führungsband | 981141 | 8 | GR6900550-C380 | |
| 53 | Rotamess | 01ROM08001K | 4 | | |
| 54 | QT-Bolzen | 4120H02015 | 8 | | |
| 55 | Querträgerrolle | 4120H06012 | 4 | | |
| | - DU-Lager | 970331 | 8 | PAP4020P10 | |



| No. | Description | order number | piece/Lift | supplier | article |
|-----|----------------------------|--------------|------------|-------------------|---------|
| 10 | platform | 4120H08003 | 1 | | |
| 11 | platform | 4120H08103 | 1 | | |
| 12 | crossbeam | 4120H06053 | 1 | | |
| 13 | crossbeam | 4120H06003 | 1 | | |
| 14 | column | 4120H05053 | 3 | | |
| 15 | operating column | 4120H05003 | 1 | | |
| 16 | ratchet rod | 4120H10015 | 4 | | |
| 17 | foot protector | 0150PL08231 | 4 | | |
| 18 | safety device | 0150PL08225 | 4 | | |
| 19 | round rod | 4120H08044 | 4 | | |
| 20 | rampe | 0150H08030 | 2 | | |
| 21 | cover | 4120H09003 | 1 | | |
| 22 | head plate | 4120H05010 | 4 | | |
| 23 | guiding device | 4120H05018 | 4 | | |
| 24 | motor | 990445 | 2 | Leroy Somer | 3 kW |
| 25 | extension spring | 9ZFZ-140AZN | 4 | | |
| 26 | oil tank | 4120H01006 | 1 | | |
| 27 | fixing device of the motor | 4120H01030 | 1 | | |
| 28 | metal plate | 4120H05007 | 4 | | |
| 29 | gera pump | 980486 | 2 | | |
| 30 | oil filter | 980098 | 2 | | |
| 31 | set screw | 9GS916M16X50 | 16 | | |
| | - nut | 9MU934m16ZN | 16 | | |
| 40 | KL-guiding | 4120H06024 | 8 | | |
| 41 | sliding shoe | 435H06024 | 8 | | |
| 42 | ratchet | 4120H30003 | 4 | | |
| 43 | bolt | 4120H06018 | 4 | | |
| 44 | cylinder ratchet kpl. | 4160H02050 | 4 | | |
| 50 | cylinder-ground | 4120H03032 | 4 | | |
| | - O-ring | 981059 | 4 | ORAR00228 | |
| | - back-up ring | 981383 | 4 | BG2700596 | |
| 51 | piston rod | 4120H02023 | 4 | | |
| | - rotating band | 981048 | 8 | GP6900650-C380 | |
| | - Wynseal | 981408 | 4 | PW4300650 | |
| 52 | cylinderpipe kpl. | 4120H02001 | 4 | | |
| | - stripper | 981372 | 8 | WA0200550 | |
| | - lip seal | 980353 | 8 | U32i-55-63-8-U94Q | |
| | - rotating band | 981141 | 8 | GR6900550-C380 | |
| 53 | Rotamess | 01ROM08001K | 4 | | |
| 54 | OT-bolt | 4120H02015 | 8 | | |
| 55 | roll | 4120H06012 | 4 | | |
| | - DU-bush | 970331 | 8 | PAP4020P10 | |



| No. | désignation | référence | pièce/Lift | fournisseur | articlé |
|-----|-------------------------|--------------|------------|-------------------|---------|
| 10 | plateforme | 4120H08003 | 1 | | |
| 11 | plateforme | 4120H08103 | 1 | | |
| 12 | traverse | 4120H06053 | 1 | | |
| 13 | traverse | 4120H06003 | 1 | | |
| 14 | colonne | 4120H05053 | 3 | | |
| 15 | colonne (commande) | 4120H05003 | 1 | | |
| 16 | barre cliquet | 4120H10015 | 4 | | |
| 17 | ramp | 0150PL08231 | 4 | | |
| 18 | sécurité contré faire | | | | |
| | marche arrière | 0150PL08225 | 4 | | |
| 19 | barre ronde | 4120H08044 | 4 | | |
| 20 | rampe | 0150H08030 | 2 | | |
| 21 | couverture | 4120H09003 | 1 | | |
| 22 | semelle de recouvrement | 4120H05010 | 4 | | |
| 23 | Z-guidage | 4120H05018 | 4 | | |
| 24 | moteur | 990445 | 2 | Leroy Somer | 3 kW |
| 25 | ressort | 9ZFZ-140AZN | 4 | | |
| 26 | réservoir à huile | 4120H01006 | 1 | | |
| 27 | fixation | 4120H01030 | 1 | | |
| 28 | metal plaque | 4120H05007 | 4 | | |
| 29 | pompe à engrenages | 980486 | 2 | | |
| 30 | énrande carter | 980098 | 2 | | |
| 31 | vis sans tête | 9GS916M16X50 | 16 | | |
| | - écrou | 9MU934m16ZN | 16 | | |
| 40 | KL-guidage | 4120H06024 | 8 | | |
| 41 | bloc à coulisse | 435H06024 | 8 | | |
| 42 | cliquet | 4120H30003 | 4 | | |
| 43 | axe | 4120H06018 | 4 | | |
| 44 | cylindre complet | 4160H02050 | 4 | | |
| 50 | fond cylindre | 4120H03032 | 4 | | |
| | - O-ring | 981059 | 4 | ORAR00228 | |
| | - back up ring | 981383 | 4 | BG2700596 | |
| 51 | tige de piston | 4120H02023 | 4 | | |
| | - ceinture de l'obus | 981048 | 8 | GP6900650-C380 | |
| | - Wynseal | 981408 | 4 | PW4300650 | |
| 52 | cylindre tûbe complet | 4120H02001 | 4 | | |
| | - stripper | 981372 | 8 | WA0200550 | |
| | - joint u à lèvres | 980353 | 8 | U32i-55-63-8-U94Q | |
| | - ceinture de l'obus | 981141 | 8 | GR6900550-C380 | |
| 53 | Rotamess | 01ROM08001K | 4 | | |
| 54 | QT-axe | 4120H02015 | 8 | | |
| 55 | poulie | 4120H06012 | 4 | | |
| | - DU-coussinet | 970331 | 8 | PAP4020P10 | |



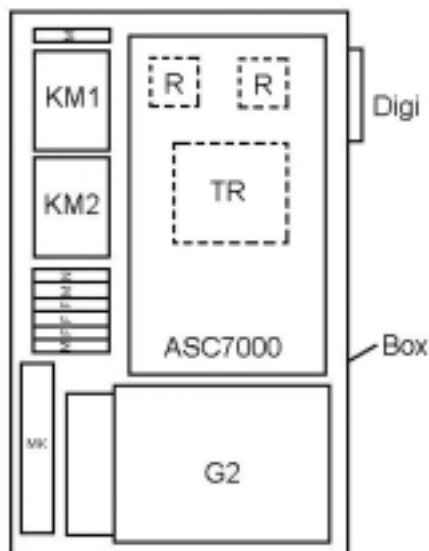
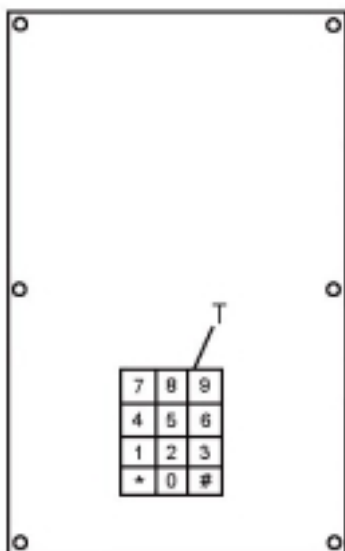
| Nr. | Bezeichnung | Bestellnummer | Stück/Lift | Lieferant | Artikel |
|-----|---------------------|---------------|------------|-----------------|----------------|
| 100 | Ausschalter | 990403 | 1 | Fa. Merz | A105/3.0200-EV |
| 101 | Drucktaster | 990130 | 3 | Klöckner-Möller | RD-X |
| | Schild Pfeil | 990131 | 3 | Klöckner-Möller | Pfeil 32T |
| | Kontaktblock | 990132 | 3 | Klöckner-Möller | BK11 |
| 102 | Display | 940257 | 1 | | DEM16481SY-LY |
| 103 | Minibandklemmen | 990022 | 23 | Fa. Phönix | MBK4 |
| | Schutzleiterklemmen | 990023 | 7 | Fa. Phönix | MSLK4 |
| 104 | Schaltkasten | 990008 | 1 | Bernstein | CT-802 |



| No. | Description | order number | piece/Lift | supplier | article |
|-----|---------------|--------------|------------|-----------------|----------------|
| 100 | Main switch | 990403 | 1 | Fa. Merz | A105/3.0200-EV |
| 101 | Press button | 990130 | 3 | Klöckner-Möller | RD-X |
| | Sign | 990131 | 3 | Klöckner-Möller | Pfeil 32T |
| | Contact block | 990132 | 3 | Klöckner-Möller | BK11 |
| 102 | Display | 940257 | 1 | | DEM16481SY-LY |
| 103 | Binding post | 990022 | 23 | Fa. Phönix | MBK4 |
| | Binding post | 990023 | 7 | Fa. Phönix | MSLK4 |
| 104 | switch box | 990008 | 1 | Bernstein | CT-802 |



| No. | désignation | référence | pièce/Lift | | |
|-----|------------------------|-----------|------------|-----------------|----------------|
| 100 | interrupteur principal | 990403 | 1 | Fa. Merz | A105/3.0200-EV |
| 101 | bouton poussoir | 990130 | 3 | Klöckner-Möller | RD-X |
| | enseigne | 990131 | 3 | Klöckner-Möller | Pfeil 32T |
| | contact bloc | 990132 | 3 | Klöckner-Möller | BK11 |
| 102 | display | 940257 | 1 | | DEM16481SY-LY |
| 103 | borne de connexion | 990022 | 23 | Fa. Phönix | MBK4 |
| | borne de connexion | 990023 | 7 | Fa. Phönix | MSLK4 |
| 104 | coffret de commande | 990008 | 1 | Bernstein | CT-802 |



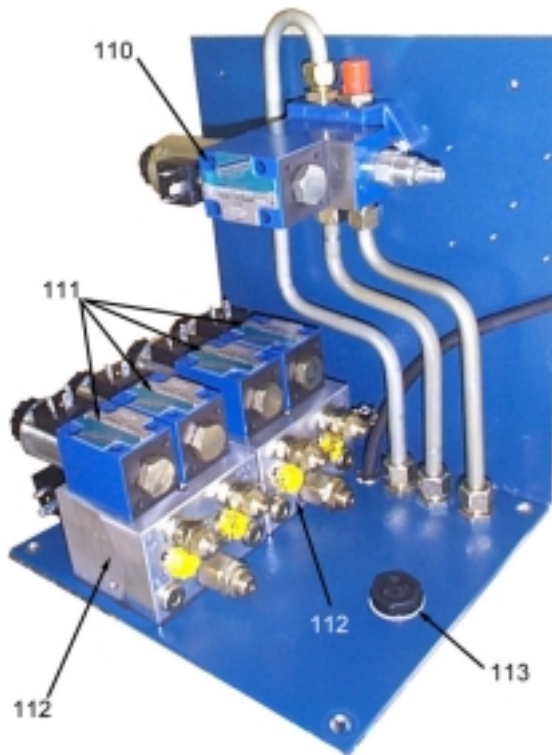
| Nr. | Bezeichnung | Bestellnummer | Stück/Lift | Lieferant | Artikel |
|------|--------------------|---------------|------------|---------------|--------------|
| T | Tastatur | 940265 | 1 | RS-Components | 113-9503 |
| Box | Schaltkasten | 990472 | 1 | Bernstein | CT-882 |
| Digi | Signalgeber | 990331 | 1 | C&K | SL12 BDN3120 |
| G2 | Einphasennetzgerät | 991195 | 1 | Schneider | D33G3001 |
| M | Reihenschelle | 990185 | 3 | Phönix | USLKG4 |
| F | Sicherungsklemme | 990661 | 3 | Phönix | UK SI |
| TR | Trafo | 990319 | 1 | Schmelzer | MS4440 |
| N | Reihenschelle | 990304 | 1 | Phönix | UK5 |
| KM1 | Schütz | 990269 | 1 | ABB | BC6-30-01 |
| KM2 | Schütz | 990269 | 1 | ABB | BC6-30-01 |
| MK | Minibandklemme | 990022 | 19 | Phönix | MBK4 |
| R | Industrirelais | 990267 | 2 | BTR | TRP3140 |



| No. | Description | order number | piece/Lift | Lieferant | Artikel |
|------|--------------------|--------------|------------|---------------|--------------|
| T | keyboard | 940265 | 1 | RS-Components | 113-9503 |
| Box | switch box | 990472 | 1 | Bernstein | CT-882 |
| Digi | loudspeaker | 990331 | 1 | C&K | SL12 BDN3120 |
| G2 | power pack | 991195 | 1 | Schneider | D33G3001 |
| M | binding post | 990185 | 3 | Phönix | USLKG4 |
| F | holder of the fuse | 990661 | 3 | Phönix | UK SI |
| TR | Transformer | 990319 | 1 | Schmelzer | MS4440 |
| N | binding post | 990304 | 1 | Phönix | UK5 |
| KM1 | up contactor | 990269 | 1 | ABB | BC6-30-01 |
| KM2 | up contactor | 990269 | 1 | ABB | BC6-30-01 |
| MK | binding post | 990022 | 19 | Phönix | MBK4 |
| R | relais | 990267 | 2 | BTR | TRP3140 |



| No. | désignation | référence | pièce/Lift | |
|------|-------------------------|-----------|------------|------------------------|
| T | clavier | 940265 | 1 | RS-Components 113-9503 |
| Box | coffret de commande | 990472 | 1 | Bernstein CT-882 |
| Digi | haut-parleur | 990331 | 1 | C&K SL12 BDN3120 |
| G2 | alimentation électrique | 991195 | 1 | Schneider D33G3001 |
| M | borne de connexion | 990185 | 3 | Phönix USLKG4 |
| F | porte-fusible | 990661 | 3 | Phönix UK SI |
| TR | Transformateur | 990319 | 1 | Schmelzer MS4440 |
| N | borne de connexion | 990304 | 1 | Phönix UK5 |
| KM1 | contacteur interrupteur | 990269 | 1 | ABB BC6-30-01 |
| KM2 | contacteur interrupteur | 990269 | 1 | ABB BC6-30-01 |
| MK | borne de connexion | 990022 | 19 | Phönix MBK4 |
| R | relais | 990267 | 2 | BTR TRP3140 |



| Nr. | Bezeichnung | Bestellnummer | Stück/Lift | Lieferant | Artikel |
|---------|---------------------|-------------------|------------|-----------|---------------|
| 110 | Wegeventil komplett | 154125 | 1 | Nussbaum | WE06DA66A0240 |
| 111,112 | Hydraulikblock kpl. | 156147 | 2 | Nussbaum | 9946005005 |
| | - Wegeventil | WEP06DA01B0240S 4 | | Nussbaum | |
| 113 | Ölpeilstab | 980098 | 1 | | |



| No. | Description | order number | piece/Lift | | |
|---------|---------------------|-------------------|------------|----------|---------------|
| 110 | way valve | 154125 | 1 | Nussbaum | WE06DA66A0240 |
| 111,112 | hyd. block complete | 156147 | 2 | Nussbaum | 9946005005 |
| | - way valve | WEP06DA01B0240S 4 | | Nussbaum | |
| 113 | oil level gauge | 980098 | 1 | | |



| No. | désignation | référence | pièce/Lift | | |
|---------|----------------------|-------------------|------------|----------|---------------|
| 110 | distributeur complet | 154125 | 1 | Nussbaum | WE06DA66A0240 |
| 111,112 | hyd. bloc complet | 156147 | 2 | Nussbaum | 9946005005 |
| | - distributeur | WEP06DA01B0240S 4 | | Nussbaum | |
| 113 | indicateur d' huile | 980098 | 1 | | |

Bestellung/Order/Commande

Absender; sender; expéditeur

Hebebühnentyp
Typ of lift
Typ automotive lift: _____

Seriennummer
Serialnumber
No. de serie: _____

Baujahr
Date of construction
Année d'installation: _____

| Nr. No. No. | Bezeichnung description désignation | Bestellnummer part number référence | Stück pieces pièce |
|-------------------|---|---|--------------------------|
|-------------------|---|---|--------------------------|

| | | | | |
|--|--|--|--|--|
| | | | | |
| | | | | |
| | | | | |
| | | | | |
| | | | | |
| | | | | |
| | | | | |
| | | | | |
| | | | | |
| | | | | |
| | | | | |
| | | | | |
| | | | | |
| | | | | |
| | | | | |
| | | | | |

Fa. Nussbaum Hebeteknik
Tel: +49(0)7853/899-23
Fax: +49(0)7853/899-25